

# LED Directional

## GU10 4.5 Watt and 6 Watt

### Product information

This range provides a substantial energy saving and is direct replacement for the 35W and 50W halogen products by consuming only 4.5W and 6W of power.

### Features

#### 4.5W – 35W equivalent

Standard IEC size product with 200lm in beam.

#### 6W – 50W equivalent

Large size product with up to 350lm in beam.

- 25,000 hours life (L70), 45,000 hours life (B50)
- Mercury free
- 200lm, 300lm and 350lm
- 2700K, 3000K and 4000K
- 25 degree and 35 degree beam angles

### Application areas

Accent, display and general lighting applications in a wide variety of commercial, industrial and residential environments.



### IEC standards

IEC60357: Tungsten halogen lamps (non-vehicle) – Performance specifications.

IEC62560: Self-ballasted LED lamp for general lighting services voltage 50~250V-safety specification.

EN60968: Self-Ballast lamps for general lighting services-Safety Requirements.

IEC62471: Photobiological safety of lamps and lamp systems.

EN55015: Limits and methods of measurement of radio disturbance characteristics of electrical lighting and similar equipment.

EN61547: Equipment for general lighting purposed EMC immunity requirements.

EN61000-3-2: Limits for harmonic current emissions.

EN61000-3-3: Limitation of voltage fluctuations and flicker in low voltage supply systems for equipment with rated current  $\leq 16A$ .



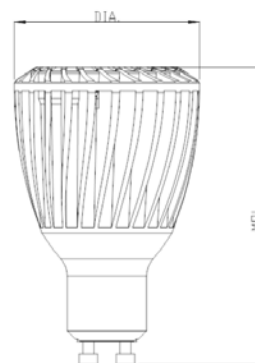
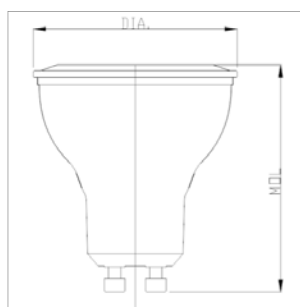
## Basic data

4.5W and 6W GU10 LED lamps have the following common feature:

- "A" Class Energy
- 220-240V range
- Complete range with CRI >80 and 5-step MacAdam colour consistency
- Efficiency from 45lm/W up to 60lm/W
- Operating temperature: -20°C to +40°C

Wattage	Base	Product description	Candela	Lumen	Beam angle	CCT	Life hours L70	Life hours B50	Efficacy	Power Factor	Pwr Rapid Cycle on-off	Weight	Pack Qty	SKU
4.5	GU10	LED4.5/GU10/827/220-240V/FL/BX	800	200	25	2,700	25,000	45,000	45	0.5	12,500	70	1/8	79358
4.5	GU10	LED4.5/GU10/827/220-240V/WFL/BX	480	200	35	2,700	25,000	45,000	45	0.5	12,500	70	1/8	79359
4.5	GU10	LED4.5/GU10/830/220-240V/FL/BX	850	200	25	3,000	25,000	45,000	45	0.5	12,500	70	1/8	79360
4.5	GU10	LED4.5/GU10/830/220-240V/WFL/BX	530	200	35	3,000	25,000	45,000	45	0.5	12,500	70	1/8	79361
6	GU10	LED 6/GU10/827/220-240V/FL/BX	1,200	300	25	2,700	25,000	45,000	50	0.7	12,500	125	1/8	97154
6	GU10	LED 6/GU10/827/220-240V/WFL/BX	600	300	35	2,700	25,000	45,000	50	0.7	12,500	125	1/8	97155
6	GU10	LED 6/GU10/830/220-240V/FL/BX	1,370	300	25	3,000	25,000	45,000	50	0.7	12,500	125	1/8	97156
6	GU10	LED 6/GU10/830/220-240V/WFL/BX	650	300	35	3,000	25,000	45,000	50	0.7	12,500	125	1/8	97157
6	GU10	LED 6/GU10/840/220-240V/ FL BX	1,400	350	25	4,000	25,000	45,000	60	0.7	12,500	125	1/8	97120
6	GU10	LED 6/GU10/840/220-240V/ WFL BX	700	350	35	4,000	25,000	45,000	60	0.7	12,500	125	1/8	97121

## Dimensions



IEC-size GU10		
Wattage [W]	MOL [mm]	DIA [mm]
4.5	57.0	50.2

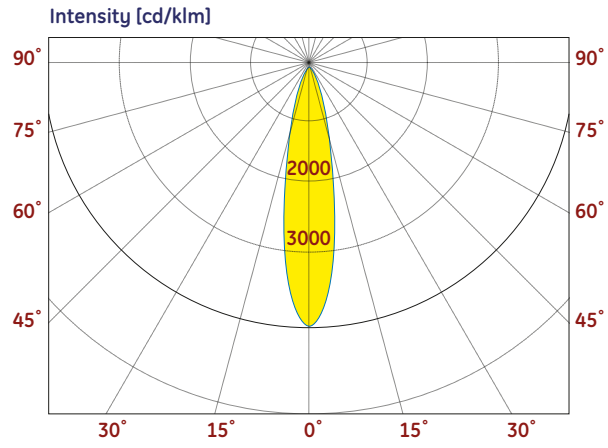
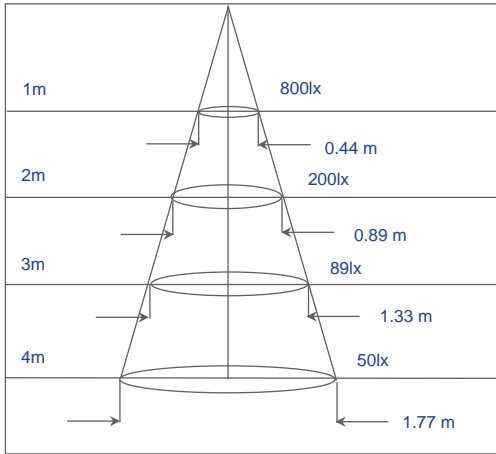
Large-size GU10		
Wattage [W]	MOL [mm]	DIA [mm]
6	77.6	50.2

MOL: maximum overall length

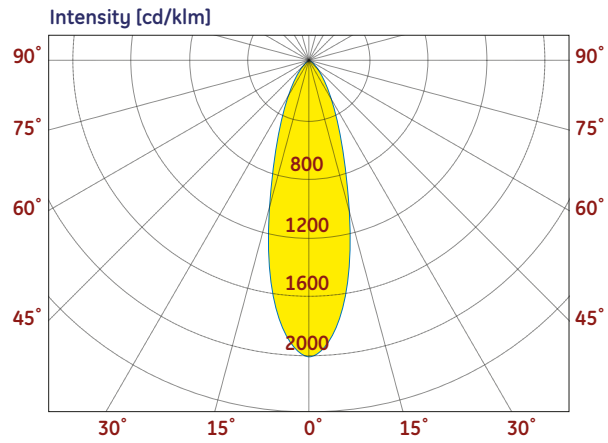
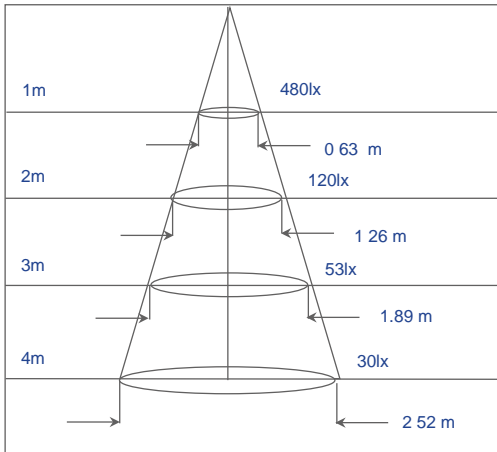
Diameter: maximum lamp diameter

Luminaire must be able to support 250g

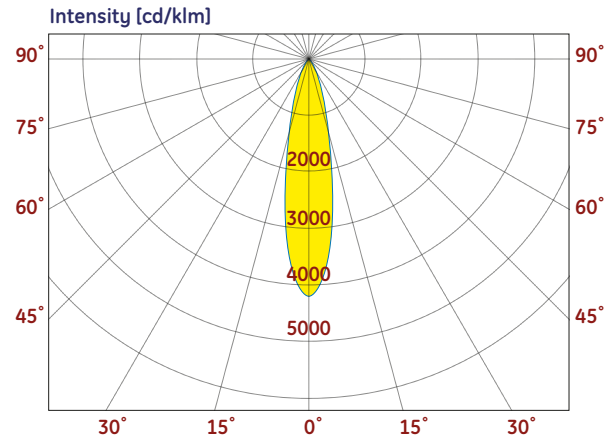
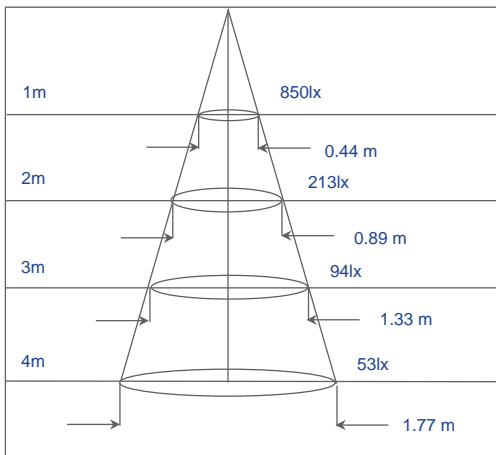
**LED4.5/GU10/827/220-240V/FL – 25° nominal beam angle**



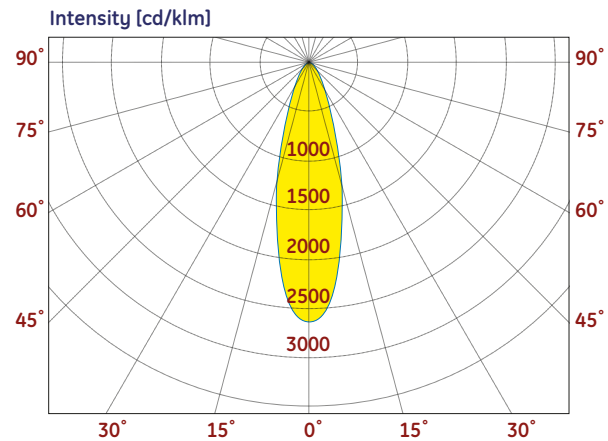
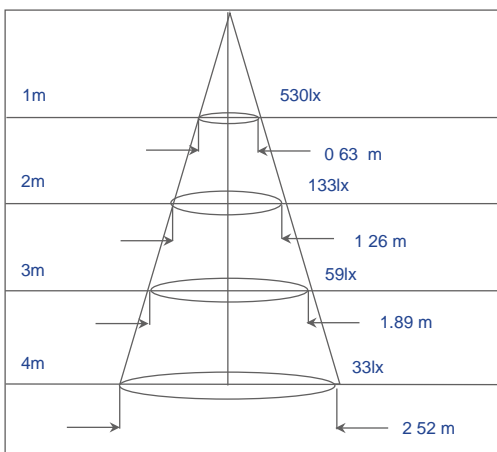
**LED4.5/GU10/827/220-240V/WFL – 35° nominal beam angle**



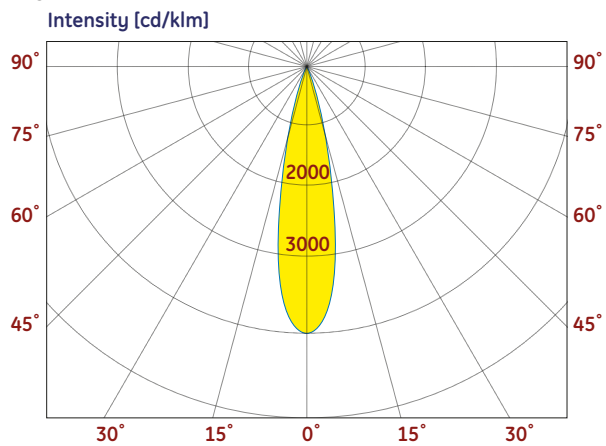
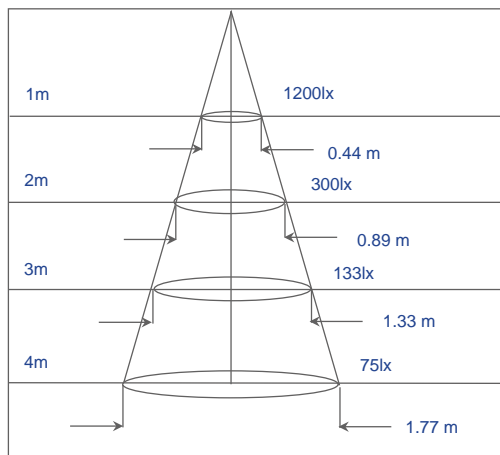
**LED4.5/GU10/830/220-240V/FL – 25° nominal beam angle**



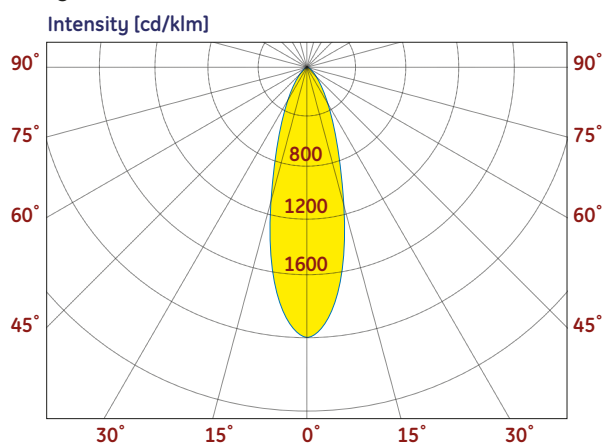
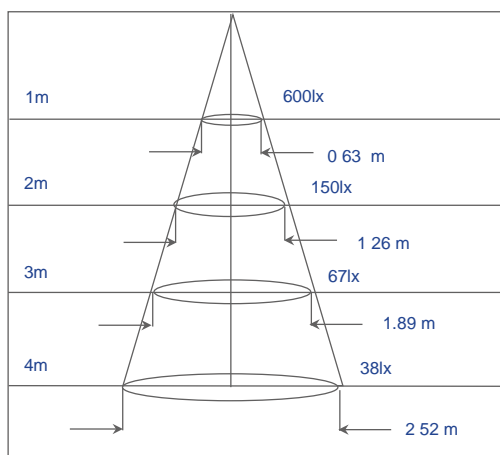
**LED4.5/GU10/830/220-240V/WFL – 35° nominal beam angle**



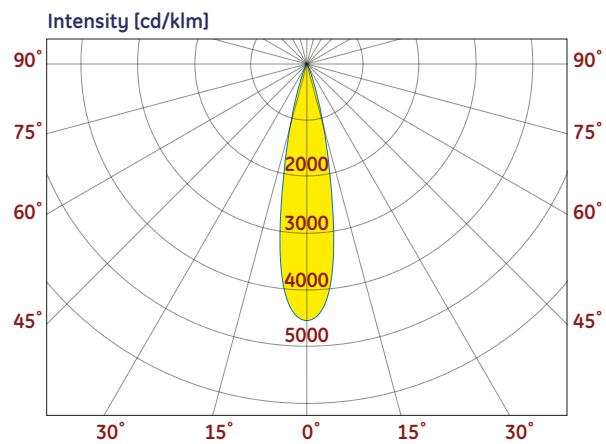
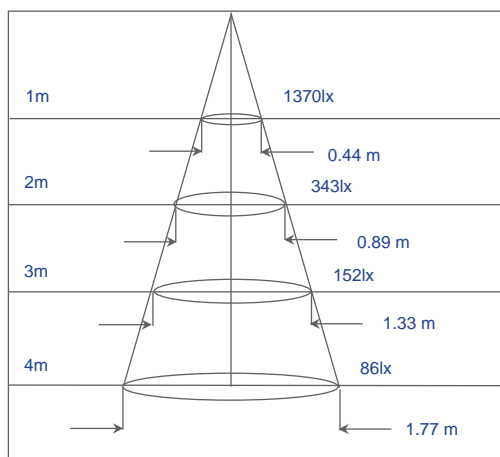
**LED6/GU10/827/220-240V/FL – 25° nominal beam angle**



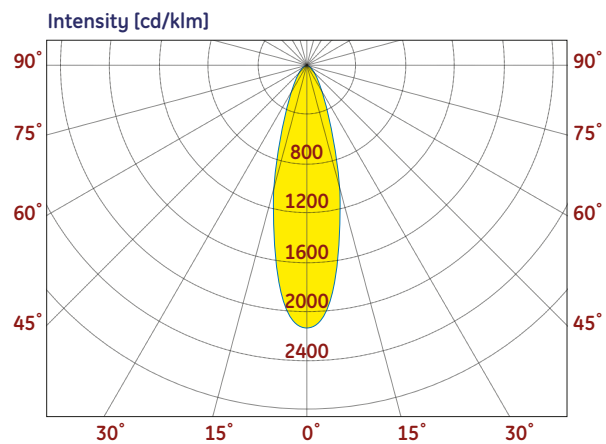
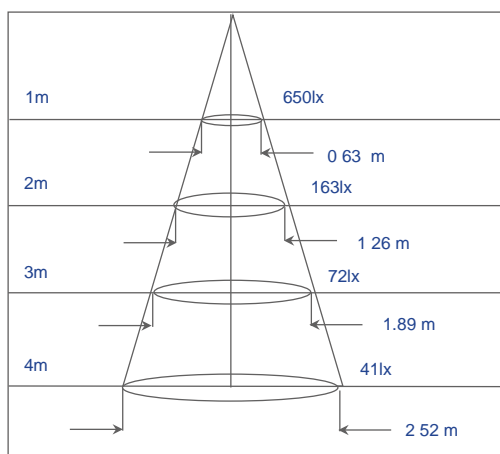
**LED6/GU10/827/220-240V/WFL – 35° nominal beam angle**



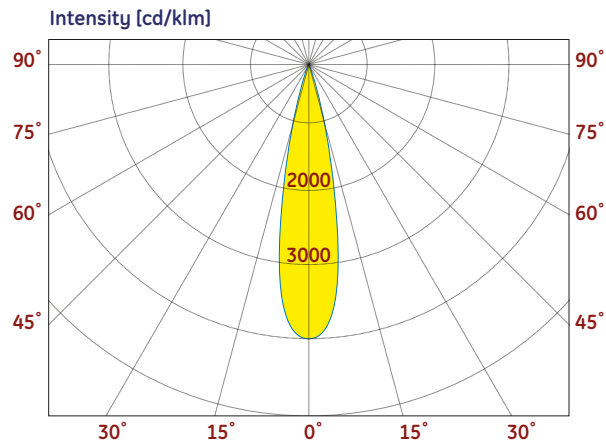
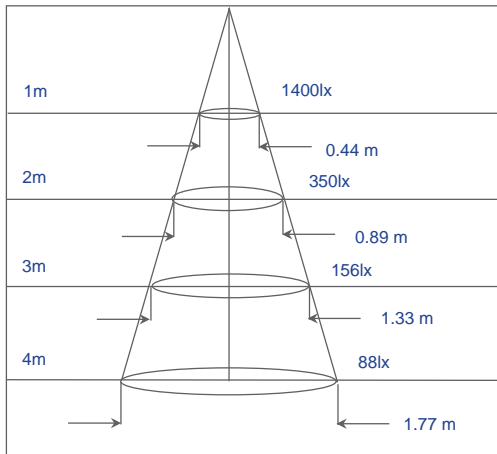
**LED6/GU10/830/220-240V/FL – 25° nominal beam angle**



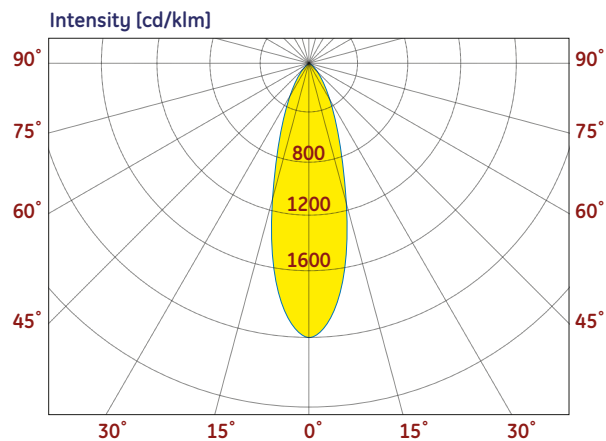
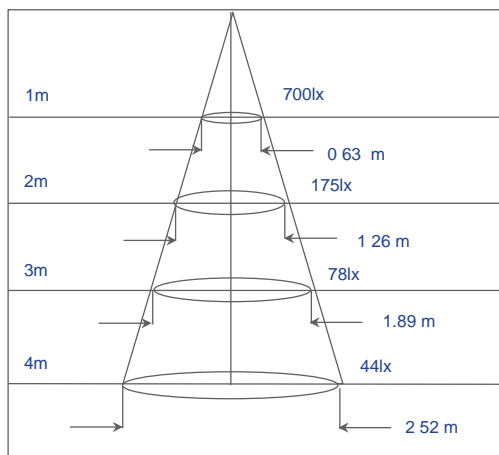
**LED6/GU10/830/220-240V/WFL – 35° nominal beam angle**



## LED6/GU10/840/220-240V/FL – 25° nominal beam angle



## LED6/GU10/840/220-240V/WFL – 35° nominal beam angle



## Lumen maintenance at rated life

- >70% lumen maintenance at 25,000 hours
- >90% reliability at 25,000 hours

## Operation and maintenance

- Store and use the lamps the same way as traditional halogen lamps.
- Fuse is not required in circuit.
- Observe wattage limitations of your fixture.
- Lamps should be kept free from contamination.
- Good condition of the lampholder contacts is important to ensure proper operation of lamp.
- Ensure lamp is cool before removing.
- Switch off mains supply before installing/removing lamp.
- LED GU10 4.5 and 6W lamps are not dimmable. For dimmable GU10 solutions, please discover our 5W and 6.5W range, details are on the website.

All GE LED Lamps are covered by a 3 to 5 year limited warranty under the terms set out the website: [gelighting.com/eu/led](http://gelighting.com/eu/led).